

Boiler Valves

TABLE OF CONTENTS

Cast Iron Straightway Stop Check, Class 250, Model #25SSC	1
Cast Iron Angle Stop Check, Class 250, Model #25ASC	2
WCB Steel Straightway Stop Check, Class 300, Model #30SSC	3
WCB Steel Angle Stop Check, Class 300, Model #30ASC	4
10" and 12" WCB Straightway Stop Check, Class 300, Model #402SSC	5
10" and 12" WCB Angle Stop Check, Class 300, Model #403ASC	6



Cast Iron Straightway Stop Check

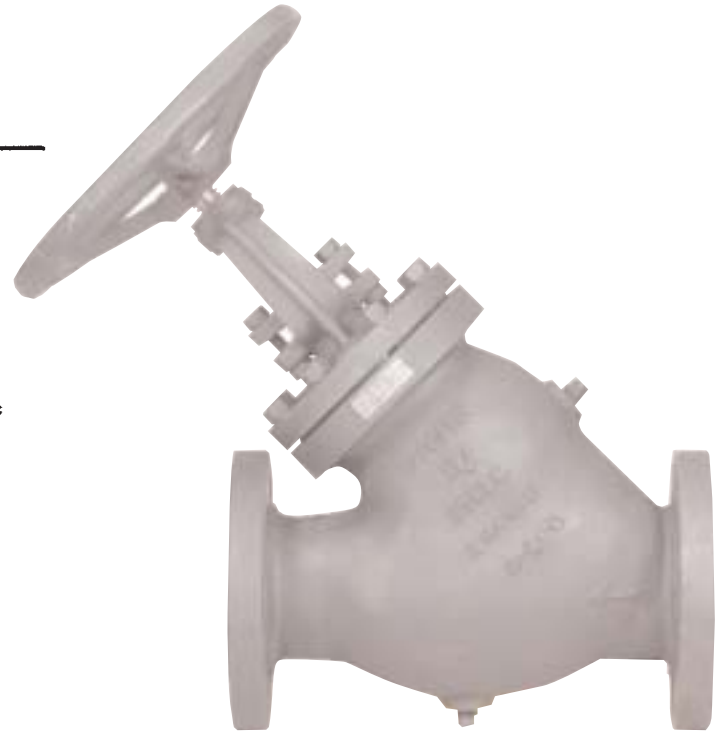
Model #25SSC

Class 250 (2½" to 10")

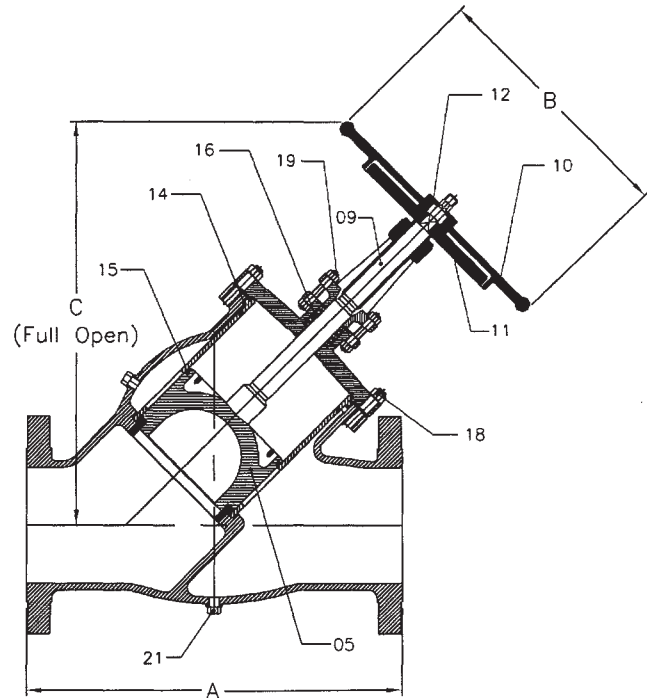
FEATURES:

- These valves comply with applicable requirements of Section 1, Power Boilers, ASME Boiler and Pressure Vessel Code
- A-126 Class B high strength cast iron body and bonnet
- CA 15 stainless steel disc, seat, and stem and 304 SS disc guide for longer service life
- Hammer blow handwheel for 6" and larger valves

**Tested to API 598.
Flanges to ANSI B16.1**



NO.	PART NAME	MATERIAL
1	BODY	A-126GrB
2	BONNET	A-126GrB
3	SEAT	CA 15
4	DISC GUIDE	A 351-CF8
5	DISC	CA 15
6	GLAND FLANGE	A-126GrB
7	STEM BUSH	ALUMINUM BRONZE
8	STEM	SS 410
9	HANDWHEEL (2½" to 4") HAMMER HANDWHEEL (6" to 10")	WCB / DI
10	HAMMER	WCB / DI
11	HANDWHEEL WASHER	C 20 (BLACKODISED)
12	HANDWHEEL NUT	2H
13	BODY GASKET	SS 304 + GRAPHITE SWG
14	PISTON RING	SPRING STEEL
15	GLAND PACKING	GRAPHITE WITH INCONEL
16	BODY & BONNET STUD	B7
17	BODY HEAVY HEX NUT	2H
18	BONNET & GLAND FLANGE STUD	B7
19	GLAND FLANGE HEAVY HEX NUT	2H
20	NPT PLUG	SS 304
21	NAME PLATE	SS 304



SIZE	INCH	2½	3	4	5	6	8	10
	MM	65	80	100	125	150	200	250
A	INCH	13	14.75	17	19	21.5	26	30
	MM	330	375	432	483	546	660	762
B	INCH	9	10	14	14	18	20	20
	MM	229	254	356	356	458	508	508
C	INCH	18	18	22.5	28.125	28.125	32	51.75
	MM	457	457	572	715	715	813	1314



Cast Iron Angle Stop Check

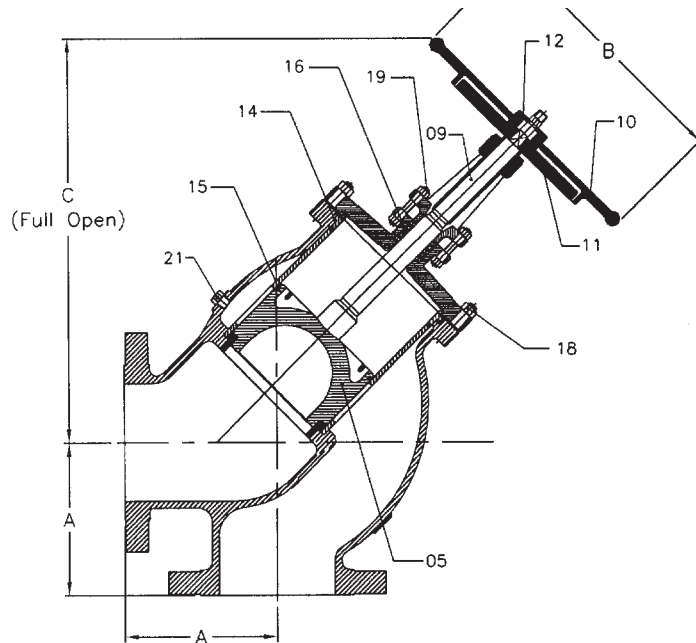
Model #25ASC
Class 250 (2½" to 10")



FEATURES:

- These valves comply with applicable requirements of Section 1, Power Boilers, ASME Boiler and Pressure Vessel Code
- A-126 Class B high strength cast iron body and bonnet
- CA 15 stainless steel disc, seat, and stem and 304 SS disc guide for longer service life
- Hammer blow handwheel for 6" and larger valves

Tested to API 598.
Flanges to ANSI B16.1



NO.	PART NAME	MATERIAL
1	BODY	A-126GrB
2	BONNET	A-126GrB
3	SEAT	CA 15
4	DISC GUIDE	A 351-CF8
5	DISC	CA 15
6	GLAND FLANGE	A-126GrB
7	STEM BUSH	ALUMINUM BRONZE
8	STEM	SS 410
9	HANDWHEEL (2½" to 4") HAMMER HANDWHEEL (6" to 10")	WCB / DI
10	HAMMER	WCB / DI
11	HANDWHEEL WASHER	C 20 (BLACKODISED)
12	HANDWHEEL NUT	2H
13	BODY GASKET	SS 304 + GRAPHITE SWG
14	PISTON RING	SPRING STEEL
15	GLAND PACKING	GRAPHITE WITH INCONEL
16	BODY & BONNET STUD	B7
17	BODY HEAVY HEX NUT	2H
18	BONNET & GLAND FLANGE STUD	B7
19	GLAND FLANGE HEAVY HEX NUT	2H
20	NPT PLUG	SS 304
21	NAME PLATE	SS 304

SIZE	INCH	2½	3	4	5	6	8	10
		MM	65	80	100	125	150	200
A	INCH	5.75	6.25	7	7.875	8.75	10.5	12.25
	MM	146	159	178	200	222	267	311
B	INCH	9	10	14	14	18	20	20
	MM	229	254	356	356	458	508	508
C	INCH	15.75	18	22.5	28.125	28.125	32	42.5
	MM	400	457	572	715	715	813	1080

 **Davis Valve**

WCB Steel

Straightway Stop Check

Model #30SSC

Class 300 (3" to 8")

FEATURES:

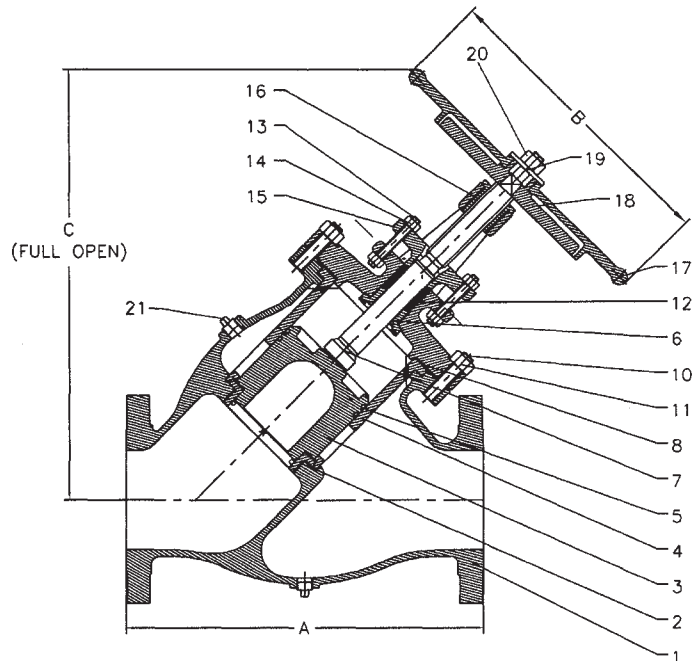
- These valves comply with applicable requirements of Section 1, Power Boilers, ASME Boiler and Pressure Vessel Code
- CA-15 seat and disc with stellite overlay, CA-15 stem and 304 SS disc guide for longer service life
- Hammer blow handwheel for 6" and larger valves

**Designed to ANSI B16.34,
tested to API 598.
Flanges to ANSI B16.5**



NO.	PART NAME	MATERIAL
1	BODY	A 216-WCB
2	SEAT	CA-15+ST6
3	DISC	CA-15+ST6
4	DISC GUIDE	A 351-CF8
5	PISTON RING	SPRING STEEL
6	BACK SEAT BUSH	A 276-304
7	STEM	A 479-410-1
8	SW GASKET	SS 316+GRAPHITE
9	BONNET	A 216-WCB
10	STUD	A 193-B7
11	HEAVY HEX NUT	A 194-2H
12	GLAND PACKING	GRAPHITE WITH INCONEL
13	STUD	A 193-B7
14	HEAVY HEX NUT	A 194-2H
15	GLAND FLANGE	A 216-WCB
16	STEM NUT	AL BRONZE (B 148-Gr D)
17	HANDWHEEL	A 216-WCB
18	HAMMER	A 216-WCB
19	WASHER	A 276-304
20	NYLOCK NUT	A 276-304
21	NPT PLUG	A 276-304

SIZE	INCH	3	4	6	8
	MM		80	100	150
A	INCH	14.75	17.00	21.50	26.00
	MM	374.7	431.8	546.1	660.4
B	INCH	10.0	14.0	18.0	20.0
	MM	254	356	457	508
C	INCH	18.0	22.5	28.1	32.0
	MM	457	572	714	813



WCB Steel Angle Stop Check

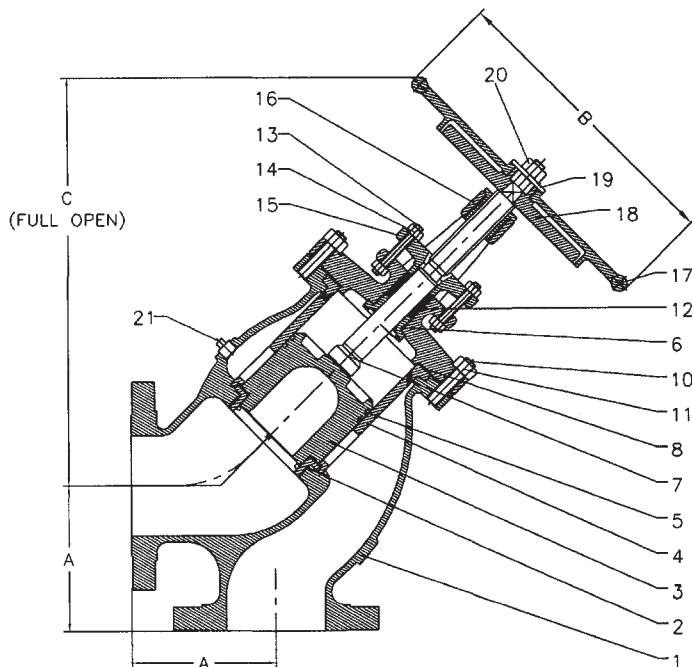
**Model #30ASC
Class 300 (3" to 8")**



FEATURES:

- These valves comply with applicable requirements of Section 1, Power Boilers, ASME Boiler and Pressure Vessel Code
- CA-15 seat and disc with stellite overlay, CA-15 stem and 304 SS disc guide for longer service life
- Hammer blow handwheel for 6" and larger valves

**Designed to ANSI B16.34,
tested to API 598.
Flanges to ANSI B16.5**



NO.	PART NAME	MATERIAL
1	BODY	A 216-WCB
2	SEAT	CA-15+ST6
3	DISC	CA-15+ST6
4	DISC GUIDE	A 351-CF8
5	PISTON RING	SPRING STEEL
6	BACK SEAT BUSH	A 276-304
7	STEM	A 479-410-1
8	SW GASKET	SS 316+GRAPHITE
9	BONNET	A 216-WCB
10	STUD	A 193-B7
11	HEAVY HEX NUT	A 194-2H
12	GLAND PACKING	GRAPHITE WITH INCONEL
13	STUD	A 193-B7
14	HEAVY HEX NUT	A 194-2H
15	GLAND FLANGE	A 216-WCB
16	STEM NUT	AL BRONZE (B 148-Gr D)
17	HANDWHEEL	A 216-WCB
18	HAMMER	A 216-WCB
19	WASHER	A 276-304
20	NYLOCK NUT	A 276-304
21	NPT PLUG	A 276-304

SIZE	INCH	3	4	6	8
	MM	80	100	150	200
A	INCH	6.25	7.0	8.75	10.5
	MM	158.8	177.8	222.3	266.7
B	INCH	10.0	14.0	18.0	20.0
	MM	254	356	457	508
C	INCH	18.0	22.5	28.1	32.0
	MM	457	572	714	813

WCB Steel Straightway Stop Check

Model #402SSC
Class 300 (10" to 12")

FEATURES:

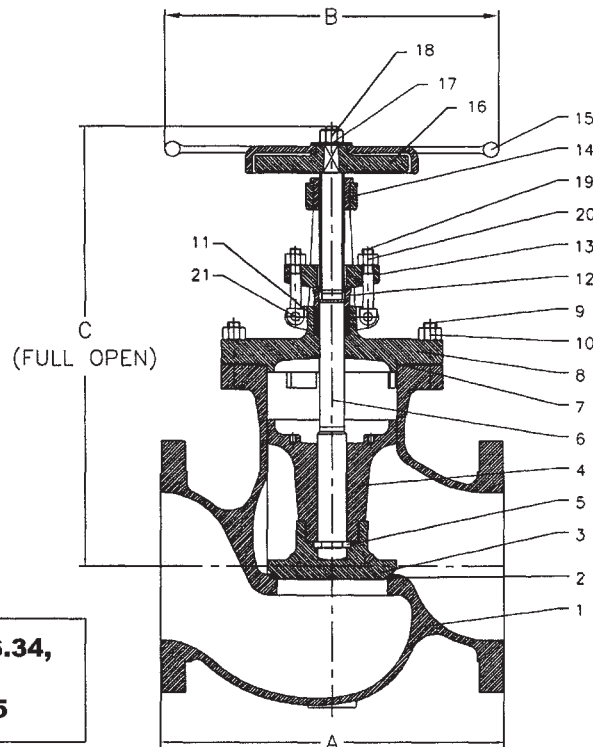
- These valves comply with applicable requirements of Section 1, Power Boilers, ASME Boiler and Pressure Vessel Code
- CA-15 seat and disc with stellite overlay and CA-15 stem for longer service life
- Hammer blow handwheel
- Equipped with equalizer
- Body guided disc
- Also available as a standard globe valve



NO.	PART NAME	A 216-WCB
1	BODY	A 216-WCB
2	SEAT	ST6
3	DISC	CA-15+ST6
4	DISC RETAINER	A 217-CA 15
5	STEM COLLAR	A 276-304
6	STEM	A 479-410-1
7	SW GASKET	SS 316+GRAPHITE
8	BONNET	WCB
9	STUD	A 193-B7
10	HEAVY HEX NUT	A 194-2H
11	GLAND PACKING	GRAPHITE WITH INCONEL
12	GLAND BUSH	A 276-410
13	GLAND FLANGE	A 216-WCB
14	STEM NUT	AL BRONZE (B 148-Gr D)
15	HAND WHEEL	A 216-WCB/DUCTILE IRON
16	HAMMER	A 216-WCB/DUCTILE IRON
17	WASHER	A 276-304
18	NYLOCK NUT	A 276-304
19	GLAND BOLT	A 307B
20	HEAVY HEX NUT	A 194-2H
21	GROOVE PIN	C 40

SIZE	INCH	10	12
	MM	250	300
A	INCH	24.5	28.0
	MM	622.0	711.2
B	INCH	20	27
	MM	508	686
C	INCH	34.0	42.5
	MM	864	1081

**Designed to ANSI B16.34,
tested to API 598.
Flanges to ANSI B16.5**



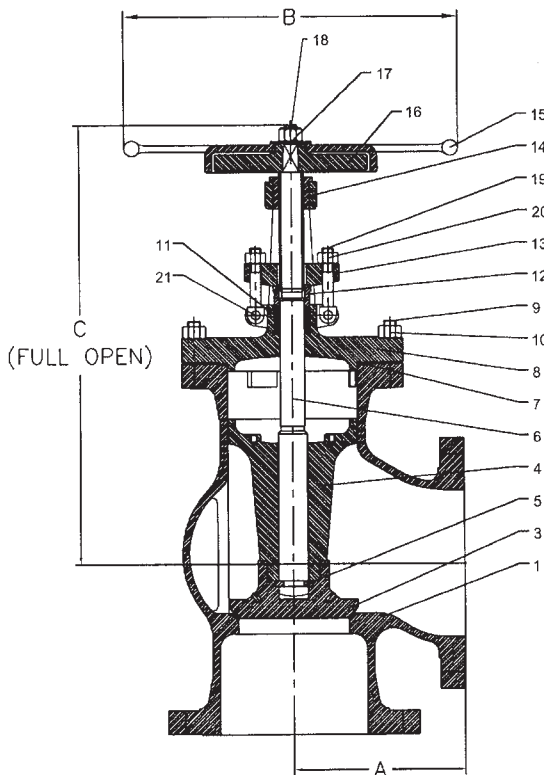
WCB Steel Angle Stop Check

Model #403ASC
Class 300 (10" to 12")



FEATURES:

- These valves comply with applicable requirements of Section 1, Power Boilers, ASME Boiler and Pressure Vessel Code
- CA-15 seat and disc with stellite overlay and CA-15 stem for longer service life
- Hammer blow handwheel
- Equipped with equalizer
- Body guided disc
- Also available as a standard angle globe valve



NO.	PART NAME	A 216-WCB
1	BODY	A 216-WCB
2	SEAT	ST6
3	DISC	CA-15+ST6
4	DISC RETAINER	A 217-CA 15
5	STEM COLLAR	A 276-304
6	STEM	A 479-410-1
7	SW GASKET	SS 316+GRAPHITE
8	BONNET	WCB
9	STUD	A 193-B7
10	HEAVY HEX NUT	A 194-2H
11	GLAND PACKING	GRAPHITE WITH INCONEL
12	GLAND BUSH	A 276-410
13	GLAND FLANGE	A 216-WCB
14	STEM NUT	AL BRONZE (B 148-Gr D)
15	HAND WHEEL	A 216-WCB/DUCTILE IRON
16	HAMMER	A 216-WCB/DUCTILE IRON
17	WASHER	A 276-304
18	NYLOCK NUT	A 276-304
19	GLAND BOLT	A 307B
20	HEAVY HEX NUT	A 194-2H
21	GROOVE PIN	C 40

**Designed to ANSI B16.34,
tested to API 598.
Flanges to ANSI B16.5**

SIZE	INCH	10	12
	MM	250	300
A	INCH	12.25	14.0
	MM	311.5	355.6
B	INCH	20	27
	MM	508	686
C	INCH	34.0	42.5
	MM	864	1081

