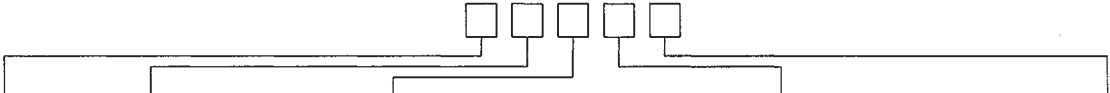


Cast Iron Valves

TABLE OF CONTENTS

Gate Valve, Class 125, OS&Y	1
Gate Valve, Class 125, Non-rising Stem	2
Gate Valve, Class 250	3
Swing Check Valve - Class 125	4
Swing Check Valve, Class 125, Lever & Weight	5
Globe Valve, Class 125	6
Globe Valve, Class 250	7
Angle Globe Valve, Class 125	8
Angle Globe Valve, Class 250	9
Ball Valve, Class 125	10
Lubricated Plug Valve, Class 200	11
Lubricated Plug Valve, Gear Operated	12



SIZE	PRESSURE RATING	END CONNECTION	TYPE	MATERIAL
2"	12 - 125#	F - Flanged	GA - Gate GAN - Gate, Non-rising Stem GL - Globe AN - Angle SC - Swing Check SC-LW - Swing Check, Lever & Weight BA - Ball Valve	Z - Cast Iron
2½"	25 - 250#			
3"				
3½"				
4"				
5"				
6"				
8"				
10"				
12"				
14"				
16"				
18"				
20"				
24"				
LUBRICATED PLUG VALVES				
SIZE	MODEL NUMBER		GEAR ADDER	
1" to 12"	153		G - Gear	



Cast Iron Gate Valve

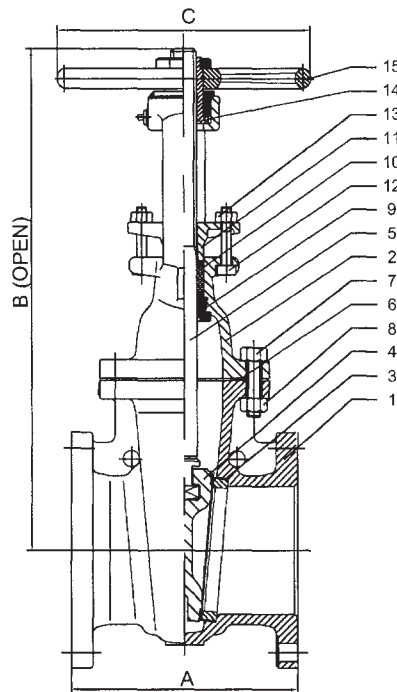
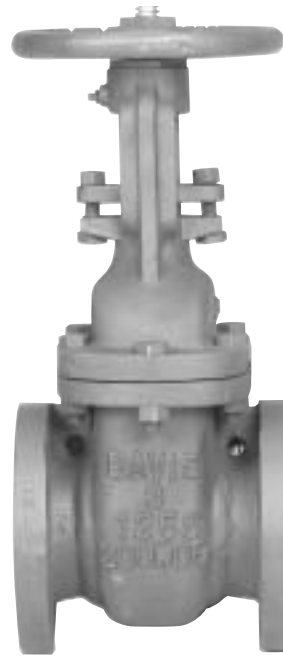
Model #12FGAZ (OS&Y)
Class 125 (2" to 24")

STANDARD:

Design according to MSS SP-70
 Pressure/Temperature Rating: ANSI B16.1
 Face to Face Dimensions: ANSI B16.10
 End Flange Dimensions: ANSI B16.1
 Wall thickness: ANSI B16.1
 Valves Tested According to API 598

WORKING PRESSURE:

2 to 12" - 125psi Steam, Basic Rating 200psi Cold Working Pressure
 14 to 24" - 100psi Steam, Basic Rating 150psi Cold Working Pressure



NO.	PART NAME	MATERIAL
1	BODY	ASTM A126-B
2	BONNET	ASTM A126-B
3	SEAT RING	BRONZE ASTM B62
4	WEDGE	ASTM A126-B+BRONZE
5	STEM	BRASS ASTM B16
6	GASKET	GRAPHITE
7	BOLTS	ASTM A307-B
8	NUTS	ASTM A307-B
9	BACKSEAT BUSHING	BRONZE ASTM B62
10	PACKING	GRAPHITE
11	PACKING GLAND	ASTM A126-B
12	GLAND FOLLOWER BOLT	ASTM A307-B
13	GLAND FOLLOWER NUT	ASTM A307-B
14	YOKE NUT	ASTM A439 D-2
15	HANDWHEEL	DUCTILE IRON
16	YOKE	ASTM A126-B

SIZE	INCH	2	2½	3	3½	4	5	6	8	10	12	14	16	18	20	24
	MM	50	65	80	90	100	130	150	200	250	300	350	400	450	500	600
A	INCH	7	7.5	8	8.5	9	10	10.5	11.5	13	14	15	16	17	18	20
	MM	178	190.5	203	216	229	254	267	292	330	356	381	406	432	457	508
B	INCH	12.5	13.5	19	21.5	23	26.5	30	37.75	45	53	61.75	69	77.5	98	116.5
	MM	326	343	482	546	589	677	762	958	1145	1342	1568	1758	1966	2489	2959
C	INCH	8	8	8	10	10	12	12	14	16	18	22	24	27	27	29.5
	MM	200	200	200	250	250	300	300	350	400	450	550	600	680	680	746
Weight	lbs	42	57	70	85	105	135	171	277	453	677	894	1426	1742	2057	2706
	kgs	19	26	32	39	48	61	78	126	205	307	406	647	790	933	1227



Cast Iron Gate Valve



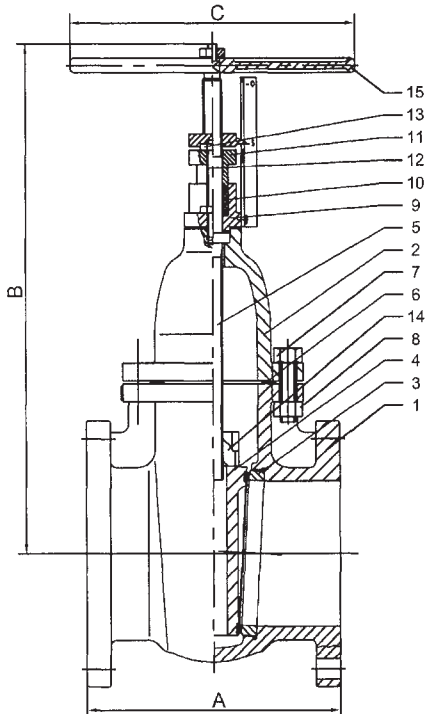
Model #12FGANZ (Non-Rising Stem)
Class 125 (2" to 24")

STANDARD:

Design according to MSS SP-70
Pressure/Temperature Rating: ANSI B16.1
Face to Face Dimensions: ANSI B16.10
End Flange Dimensions: ANSI B16.1
Wall thickness: ANSI B16.1
Valves Tested According to API 598

WORKING PRESSURE:

2" to 12" - 125psi Steam, Basic Rating 200psi Cold Working Pressure
14" to 24" - 100psi Steam, Basic Rating 150psi Cold Working Pressure



NO.	PART NAME	MATERIAL
1	BODY	ASTM A126-B
2	BONNET	ASTM A126-B
3	SEAT RING	BRONZE ASTM B62
4	WEDGE	ASTM A126-B+BRONZE
5	STEM	BRASS ASTM B16
6	GASKET	GRAPHITE
7	BOLTS	ASTM A307-B
8	NUTS	ASTM A307-B
9	YOKE	BRONZE ASTM B62
10	PACKING	GRAPHITE
11	PACKING GLAND	ASTM A126-B
12	GLAND FOLLOWER BOLT	ASTM A307-B
13	GLAND FOLLOWER NUT	ASTM A307-B
14	YOKE NUT	ASTM A439 D-2
15	HANDWHEEL	DUCTILE IRON

SIZE	INCH	2	2½	3	4	5	6	8	10	12	14	16	18	20	24	
	MM		50	65	80	100	130	150	200	250	300	350	400	450	500	600
A	INCH		7	7.5	8	9	10	10.5	11.5	13	14	15	16	17	18	20
	MM		178	190.5	203	229	254	267	292	330	356	381	406	432	457	508
B	INCH		12.25	13	14.5	17	18	22	26	30	36	41	42.5	46.5	54.25	57.5
	MM		311	330	366	429	457	555	657	767	916	1041	1080	1180	1378	1461
C	INCH		8	8	8	10	12	12	14	16	18	20	22	24	28	28
	MM		200	200	200	250	300	300	350	400	450	500	560	610	715	715
Weight	lbs		40	55	66	96	143	171	279	433	622	968	1093	1333	1958	2574
	kgs		19	25	30	44	65	78	127	196	282	439	496	605	888	1168

Cast Iron Gate Valve

Model #25FGAZ (OS&Y) Class 250 (2" to 10")

STANDARD:

- Design according to MSS SP-70
- Pressure/Temperature Rating: ANSI B16.1
- Face to Face Dimensions: ANSI B16.10
- End Flange Dimensions: ANSI B16.1
- Wall thickness: ANSI B16.1
- Valves Tested According to API 598

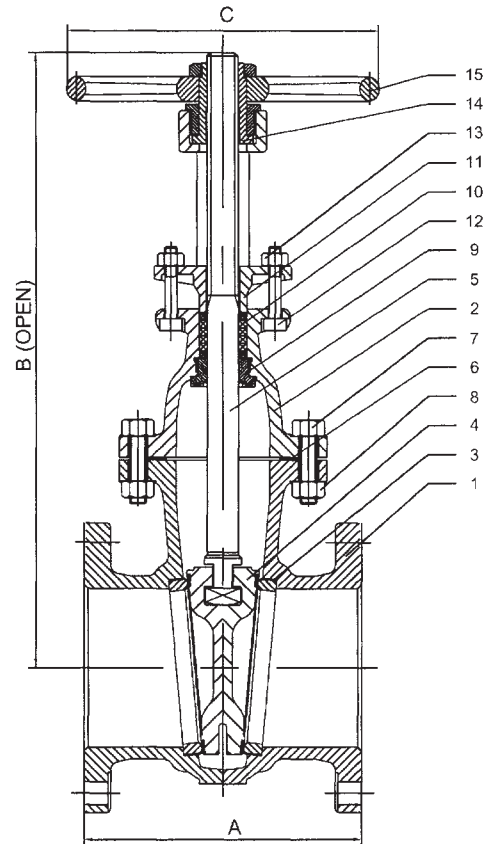
SERVICE RATING:

- 250psi Saturated Steam to 406 F or 207 C
- 250psi Fluid to 450 F to 232 C
- 500psi Non-Shock Cold Water, Oil or Gas to -20 F to 150 F or -29 C to 66 C



NO.	PART NAME	MATERIAL
1	BODY	ASTM A126-B
2	BONNET	ASTM A126-B
3	SEAT RING	BRONZE ASTM B62
4	WEDGE	ASTM A126-B + BRONZE
5	STEM	BRASS ASTM B16
6	GASKET	GRAPHITE
7	BOLTS	ASTM A307
8	NUTS	ASTM A307
9	BACKSEAT BUSHING	BRONZE ASTM B62
10	PACKING	GRAPHITE
11	PACKING GLAND	ASTM A126-B
12	GLAND FOLLOWER BOLT	ASTM A307
13	GLAND FOLLOWER NUT	ASTM A307
14	YOKE NUT	ASTM B62
15	HANDWHEEL	ASTM A126-B
16	YOKE	ASTM A126-B

SIZE	INCH	2	2½	3	4	5	6	8	10
	MM	50	65	80	100	130	150	200	250
A	INCH	8.5	9.5	11.12	12	15	15.88	16.5	18
	MM	216	241	283	305	381	403	419	457
B	INCH	14	15.75	16	21	24.5	25	33.5	41.5
	MM	350	400	407	534	622	629	851	1048
C	INCH	9	10	10	12	16	16	18	18
	MM	230	250	250	300	400	400	450	450
Weight	lbs	61	80	104	175	280	300	433	561
	kgs	28	36	47	80	127	136	197	255



Cast Iron Swing Check



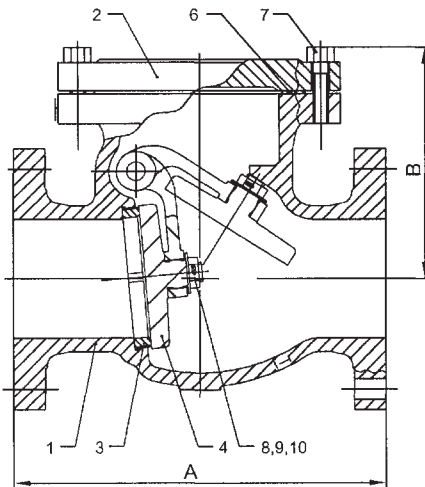
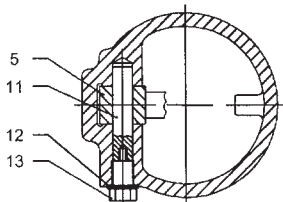
Model #12FSCZ
Class 125 (2" to 24")

STANDARD:

Design according to MSS SP-71
Pressure/Temperature Rating: ANSI B16.1
Face to Face Dimensions: ANSI B16.10
End Flange Dimensions: ANSI B16.1
Wall thickness: ANSI B16.1
Valves Tested According to API 598

WORKING PRESSURE:

2" to 12" - 125psi Steam, Basic Rating 200psi Cold Working Pressure
14" to 24" - 100psi Steam, Basic Rating 150psi Cold Working Pressure



NO.	PART NAME	MATERIAL
1	BODY	ASTM A126-B
2	BONNET	ASTM A126-B
3	SEAT RING	BRONZE ASTM B62
4	DISC	DUCTILE IRON + BRONZE
5	HINGE	DUCTILE IRON
6	GASKET	GRAPHITE
7	BOLTS	ASTM A307-B
8	NUTS	BRASS ASTM B16
9	WASHER	BRASS ASTM B16
10	PIN	STAINLESS STEEL
11	HINGE PIN	BRASS ASTM B16
12	GASKET	BRASS ASTM B16
13	PLUG	STEEL

SIZE	INCH	2	2½	3	4	5	6	8	10	12	14	16	18	20	24
	MM	50	65	80	100	130	150	200	250	300	350	400	450	500	600
A	INCH	8	8.5	9.5	11.5	13	14	19.5	24.5	27.5	31	36	38	42	46
	MM	203	216	241	292	330	356	495	622	698	787	914	965	1067	1169
B	INCH	6	6.38	6.13	7	8.88	11.13	13	15.13	17	19	21.25	17.19	19.25	25.88
	MM	152	162	156	180	226	282	331	384	434	485	541	437	489	657
Weight	lbs	24	37	44	75	120	128	229	481	701	875	1413	1727	2596	3520
	kgs	11	17	20	34	54	58	104	218	318	397	641	783	1178	1597

Cast Iron Swing Check

Model #12FSCZ-LW (Lever & Weight) Class 125 (2" to 24")

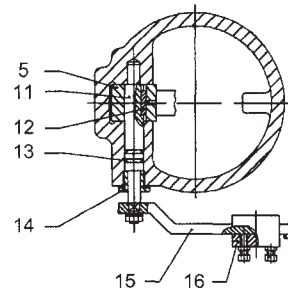


STANDARD:

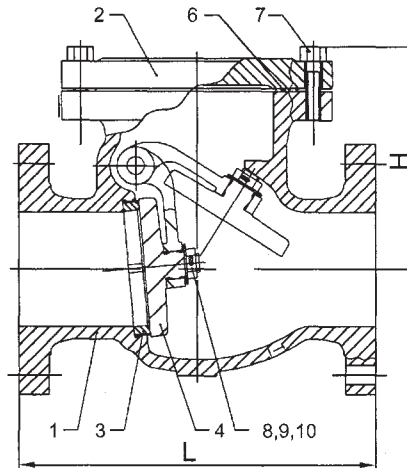
- Design according to MSS SP-71
- Pressure/Temperature Rating: ANSI B16.1
- Face to Face Dimensions: ANSI B16.10
- End Flange Dimensions: ANSI B16.1
- Wall thickness: ANSI B16.1
- Valves Tested According to API 598

WORKING PRESSURE:

- 2" to 12" - 125psi Steam, Basic Rating 200psi Cold Working Pressure
- 14" to 24" - 100psi Steam, Basic Rating 150psi Cold Working Pressure



NO.	PART NAME	MATERIAL
1	BODY	ASTM A126-B
2	BONNET	ASTM A126-B
3	SEAT RING	BRONZE ASTM B62
4	DISC	DUCTILE IRON + BRONZE
5	HINGE	DUCTILE IRON
6	GASKET	GRAPHITE
7	BOLTS	ASTM A307-B
8	NUTS	BRASS ASTM B16
9	WASHER	BRASS ASTM B16
10	PINS	STAINLESS STEEL
11	HINGE PINS	STAINLESS STEEL
12	KEY	STAINLESS STEEL
13	O-RING	NBR
14	GLAND	STEEL
15	LEVEL	STEEL
16	WEIGHT	STEEL



SIZE	INCH	2	2½	3	4	5	6	8	10	12	14	16	18	20	24
	MM	50	65	80	100	130	150	200	250	300	350	400	450	500	600
A	INCH	8	8.5	9.5	11.5	13	14	19.5	24.5	27.5	31	36	38	42	46
	MM	203	216	241	292	330	356	495	622	698	787	914	965	1067	1169
B	INCH	6	6.38	6.13	7	8.88	11.13	13	15.13	17	19	21.25	17.19	19.25	25.88
	MM	152	162	156	180	226	282	331	384	434	485	541	437	489	657
Weight	lbs	30	43	55	86	130	139	240	516	752	829	1148	1727	2596	3520
	kgs	14	20	25	39	59	63	109	234	341	376	521	783	1178	1597



Cast Iron Globe Valve

Model #12FGLZ
Class 125 (2" to 12")

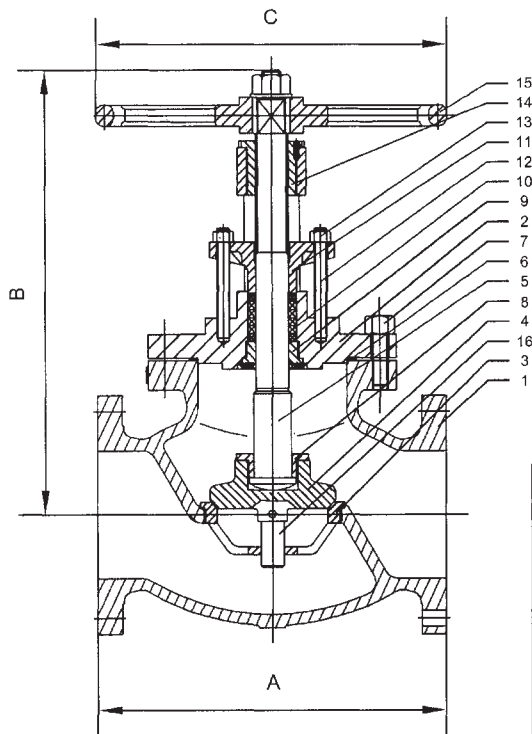


STANDARD:

Design according to MSS SP-85
Pressure/Temperature Rating: ANSI B16.1
Face to Face Dimensions: ANSI B16.10
End Flange Dimensions: ANSI B16.1
Wall thickness: ANSI B16.1
Valves Tested According to API 598

WORKING PRESSURE:

125psi Steam, Basic Rating
200psi Cold Working Pressure



NO.	PART NAME	MATERIAL
1	BODY	ASTM A126-B
2	BONNET	ASTM A126-B
3	SEAT RING	BRONZE ASTM B62
4	DISC	A105 + BRONZE OVERLAY
5	STEM	BRASS ASTM B16
6	GASKET	GRAPHITE
7	BOLTS	ASTM A307-B
8	DISC NUT	BRASS ASTM B16
9	BACKSEAT BUSHING	BRONZE ASTM B62
10	PACKING	GRAPHITE
11	PACKING GLAND	ASTM A126-B
12	GLAND FOLLOWER BOLT	ASTM A307-B
13	GLAND FOLLOWER NUT	ASTM A307-B
14	YOKE NUT	ASTM A439 D-2
15	HANDWHEEL	DUCTILE IRON
16	GUIDE PIN	BRASS ASTM B16

SIZE	INCH	2	2½	3	4	5	6	8	10	12
	MM	50	65	80	100	130	150	200	250	300
A	INCH	8	8.5	9.5	11.5	13	14	19.5	24.5	27.5
	MM	203	216	241	292	330	356	495	622	698
B	INCH	10.88	12	13.5	15.75	17	18.5	22	25	28
	MM	276	305	341	401	432	470	559	635	711
C	INCH	8	8	10	12	14	16	18	20	24
	MM	200	200	250	300	350	400	450	500	600
Weight	lbs	33	55	57	95	126	233	416	664	906
	kgs	15	25	26	43	57	106	187	301	411

Cast Iron Globe Valve

Model #25FGLZ
Class 250 (2" to 8")

STANDARD:

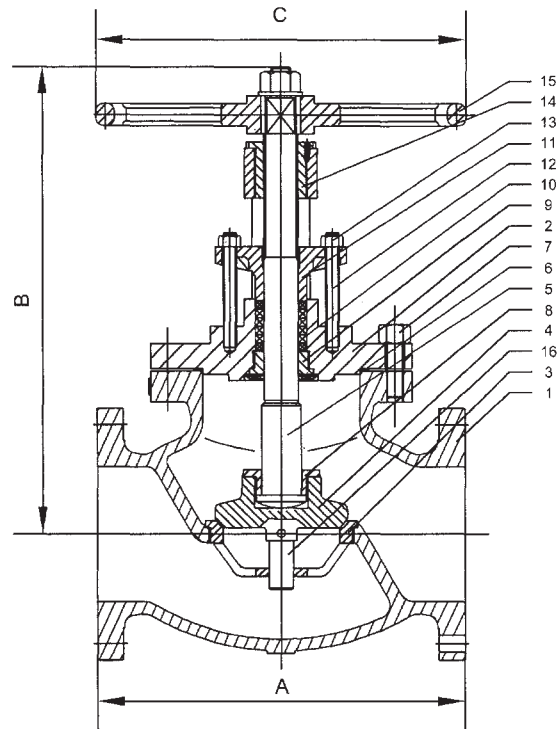
Design according to MSS SP-85
 Pressure/Temperature Rating: ANSI B16.1
 Face to Face Dimensions: ANSI B16.10
 End Flange Dimensions: ANSI B16.1
 Wall thickness: ANSI B16.1
 Valves Tested According to API 598

WORKING PRESSURE:

250psi Steam, Basic Rating
 500psi Cold Working Pressure



NO.	PART NAME	MATERIAL
1	BODY	ASTM A126-B
2	BONNET	ASTM A126-B
3	SEAT RING	BRONZE ASTM B62
4	DISC	A105 + BRONZE OVERLAY
5	STEM	BRASS ASTM B16
6	GASKET	GRAPHITE
7	BOLTS	ASTM A307-B
8	DISC NUT	BRASS ASTM B16
9	BACKSEAT BUSHING	BRONZE ASTM B62
10	PACKING	GRAPHITE
11	PACKING GLAND	ASTM A126-B
12	GLAND FOLLOWER BOLT	ASTM A307-B
13	GLAND FOLLOWER NUT	ASTM A307-B
14	YOKE NUT	ASTM A439 D-2
15	HANDWHEEL	DUCTILE IRON
16	GUIDE PIN	BRASS ASTM B16



SIZE	INCH	2	2½	3	4	6	8
	MM	50	65	80	100	150	200
A	INCH	10.5	11.5	12.5	14	17.5	21
	MM	267	292	318	356	445	533
B	INCH	10.31	13.56	14	16.5	23.5	26.5
	MM	262	345	356	419	597	673
C	INCH	7	8	10	11	14	16
	MM	178	203	254	279	356	406
Weight	lbs	42	79	97	155	360	546
	kgs	19	36	44	70	163	248



Cast Iron Angle Valve



Model #12FANZ
Class 125 (2" to 8")

SERVICE RATING:

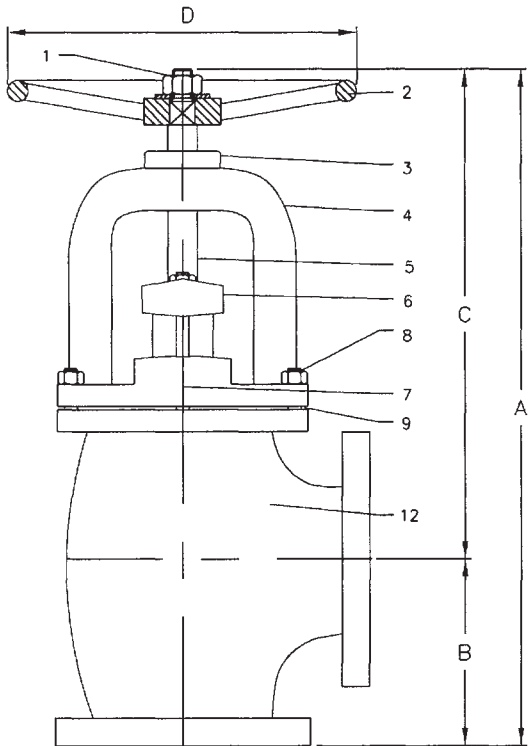
125psi Saturated Steam to 353 F or 178 C

125psi Fluid to 450 F to 232 C

**200psi Non-Shock Cold Water, Oil or Gas to
 -20 F to 150 F or -29 C to 66 C**

APPLICABLE STANDARDS:

MSS-SP-85, ANSI B16.1 and B16.10



NO.	PART NAME	MATERIAL
1	HANDWHEEL NUT	CAST BRONZE ASTM B62
2	HANDWHEEL	CAST IRON ASTM A126-B
3	YOKE BUSHING	CAST BRONZE ASTM B62
4	BONNET	CAST IRON ASTM A126-B
5	STEM	BRASS ASTM B16
6	GLAND	CAST IRON ASTM A126-B
7	PACKING	GRAPHITE
8	BODY BOLT	STEEL ASTM A307-B
9	BODY GASKET	GRAPHITE
10	DISK **	CAST BRONZE ASTM B62
11	SEAT RING **	CAST BRONZE ASTM B62
12	BODY	CAST IRON ASTM A126-B

** NOT SHOWN

SIZE	INCH	2	2½	3	4	6	8
	MM	50	65	80	100	150	200
A	INCH	14.75	16.313	17.5	20	24	32.125
	MM	375	414	445	508	610	816
B	INCH	4	4.25	4.75	5.75	7	9.75
	MM	102	108	121	146	178	248
C	INCH	10.625	12	12.75	14.25	17	22.75
	MM	200	305	324	362	432	578
D	INCH	7.5	8.75	9	10	12.25	15.813
	MM	191	222	229	254	311	402
Weight	lbs	38	55	62	100	168	327
	kgs	17	25	28	45	76	148

Cast Iron Angle Valve

Model #25FANZ

Class 250 (2½" to 6")

SERVICE RATING:

250psi Saturated Steam to 353 F or 178 C

250psi Fluid to 450 F to 232 C

500psi Non-Shock Cold Water, Oil or Gas to -20 F to 150 F or
-29 C to 66 C

APPLICABLE STANDARDS:

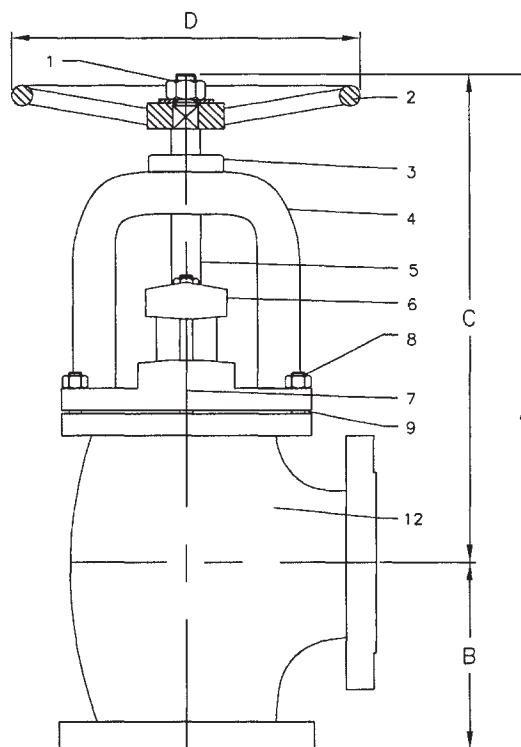
MSS-SP-85, ANSI B16.1 and B16.10



NO.	PART NAME	MATERIAL
1	HANDWHEEL NUT	CAST BRONZE ASTM B62
2	HANDWHEEL	CAST IRON ASTM A126-B
3	YOKE BUSHING	CAST BRONZE ASTM B62
4	BONNET	CAST IRON ASTM A126-B
5	STEM	BRASS ASTM B16
6	GLAND	CAST IRON ASTM A126-B
7	PACKING	GRAPHITE
8	BODY BOLT	STEEL ASTM A307-B
9	BODY GASKET	GRAPHITE
10	DISK **	CAST BRONZE ASTM B62
11	SEAT RING **	CAST BRONZE ASTM B62
12	BODY	CAST IRON ASTM A126-B

** NOT SHOWN

SIZE	INCH	2½	3	4	6
	MM	65	80	100	150
A	INCH	18.5	20.5	24.75	31.875
	MM	470	521	629	810
B	INCH	5.75	6.5	6.875	8.625
	MM	146	165	175	219
C	INCH	12.75	14	17.875	23.25
	MM	324	356	454	591
D	INCH	9.25	9.938	12.125	16
	MM	235	252	308	406
Weight	lbs	75	113	184	352
	kgs	34	51	83	160



Cast Iron Ball Valve



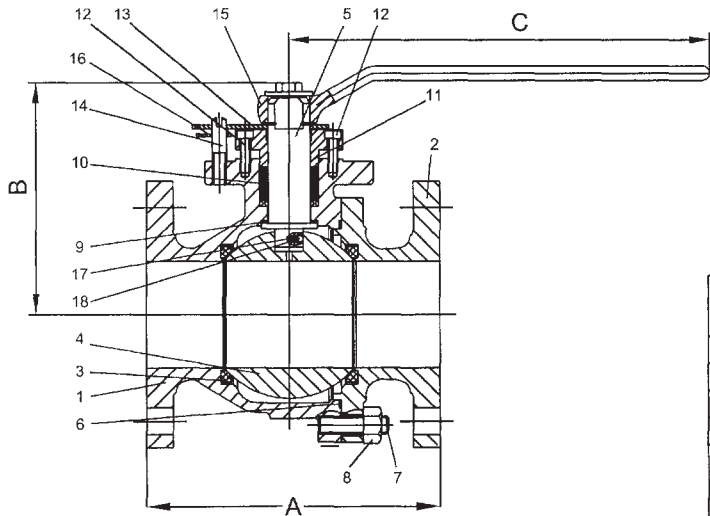
**Model #12FBAZ (Full Port)
Class 125 (2" to 10")**

FEATURES:

- Same end to end dimension as conventional 125 lb. ANSI flanged iron gate valve
- Fast quarter turn open or closed operation
- Stainless steel ball and stem
- Positive shut-off
- Two-piece body construction
- 125 W.S.P.
- Integral ISO 5211 actuator mounting pad

WORKING PRESSURE:

- 125psi Steam, Basic Rating
- 200psi Cold Working Pressure



**Designed to ANSI B16.1,
tested to API 598. Face
to face to ANSI B16.10**

SIZE	INCH	2	2½	3	4	6	8	10
	MM	50	65	80	100	150	200	250
A	INCH	7	7.5	8	9	10.5	11.5	13
	MM	178	190.5	203	229	267	292	330
B	INCH	5	6.75	7.125	8.875	11.125	15.75	17.5
	MM	127	171	181	225	284	400	445
C	INCH	9	15.75	15.75	18	39.5	**	**
	MM	230	400	400	460	1000	**	**
Weight	lbs	22	34	38	58	118	247	339
	kgs	10	16	17	26	54	112	154

NO.	PART NAME	MATERIAL
1	BODY	ASTM A126-B
2	BONNET	ASTM A126-B
3	SEAT RING	PTFE
4	BALL	A182 F304
5	STEM	A182 F304
6	GASKET	PTFE
7	BOLTS	ASTM A307-B
8	NUTS	ASTM A307-B
9	THRUST WASHER	PTFE
10	PACKING	PTFE
11	PACKING GLAND	STEEL
12	PACKING BOLT	ASTM A307-B
13	STOP PLATE	STEEL
14	STOP PIN	STEEL
15	HANDLE	DUCTILE IRON
16	WASHER	STEEL
17	SPRING	STAINLESS STEEL
18	ANTI STATIC BALL	STAINLESS STEEL



Lubricated Plug Valve

Model #153

Class 200 (1" to 12")

SERVICE RATING:

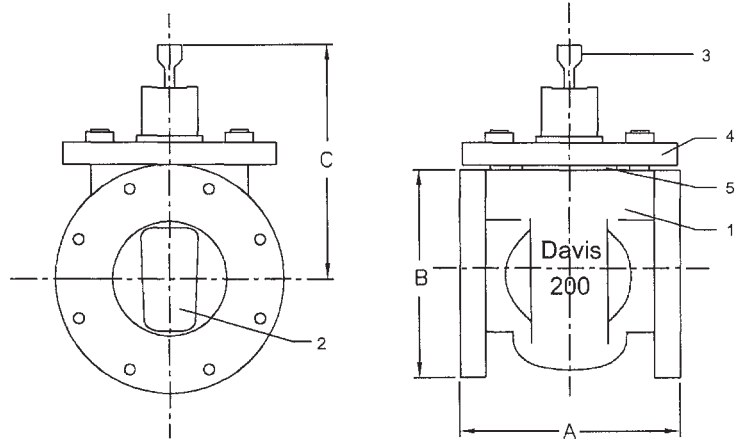
- 125psi Saturated Steam to 353 F or 178 C
- 125psi Fluid to 450 F to 232 C
- 200psi Non-Shock Cold Water, Oil or Gas to -20 F to 150 F or -29 C to 66 C

APPLICABLE STANDARDS:

- MSS-SP-78, ANSI B16.1 and B16.10
- Pressure Sealed Lubrication



NO.	PART NAME	MATERIAL
1	BODY	CAST IRON ASTM A126-B
2	PLUG	CAST IRON ASTM A126-B
3	LUBRICANT FITTING	STEEL
4	GLAND	CAST IRON ASTM A126-B
5	PACKING	GRAPHITE, 304SS AND NEOPRENE



SIZE	INCH	1	1½	2	2½	3	4	5	6	8	10	12
	MM	25	40	50	65	80	100	125	150	200	250	300
A	INCH	5.5	6.5	7	7.5	8	9	10	10.5	11.5	13	14
	MM	140	165.1	177.8	190.5	203.2	228.6	254	266.7	292.1	330.2	355.6
B	INCH	4.25	5	6	7	7.5	9	10	11	13.5	16	19
	MM	108	127	152	178	191	229	254	279	343	406	483
C	INCH	6.125	6.31	7.125	8.81	8.5	8.875	9.75	14	15.5	15.5	19
	MM	156	160	181	224	216	225	248	356	394	394	483
Weight	Lbs	6	6	25	42	47	71	88	172	225	283	325
	Kgs	3	3	11	19	21	32	40	78	102	128	147





Lubricated Plug Valve

**Model #153G (Gear Operation)
Class 200 (6" to 12")**

SERVICE RATING:

125psi Saturated Steam to 353 F or 178 C

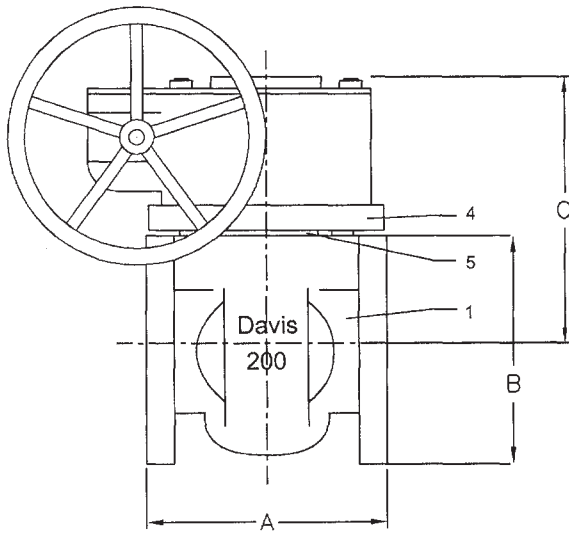
125psi Fluid to 450 F to 232 C

**200psi Non-Shock Cold Water, Oil or Gas to
-20 F to 150 F or -29 C to 66 C**

APPLICABLE STANDARDS:

MSS-SP-78, ANSI B16.1 and B16.10

Pressure Sealed Lubrication



NO.	PART NAME	MATERIAL
1	BODY	CAST IRON ASTM A126-B
2	PLUG	CAST IRON ASTM A126-B
3	LUBRICANT FITTING	STEEL (DOUBLE BALL CHECK)
4	GLAND	CAST IRON ASTM A126-B
5	PACKING	GRAPHITE, 304SS AND NEOPRENE

SIZE	INCH	6	8	10	12
	MM	150	200	250	300
A	INCH	10.5	11.5	13	14
	MM	266.7	292.1	330.2	355.6
B	INCH	11	13.5	16	19
	MM	279	343	406	483
C	INCH	14.5	17.375	17.5	19.625
	MM	368	441	445	498
Weight	Lbs	192	290	349	549
	Kgs	87	132	158	249