

Knife Gate Valves

TABLE OF CONTENTS

Knife Gate Valve, Metal Seated, Model #60	1 - 2
Knife Gate Valve, Uni-directional, Model #61	3 - 4
Slide Through Knife Gate Valve, Model #63	5 - 6
Knife Gate Valve, Bi-directional, Resilient Seat, Model #70	7 - 8
Accessories	9

SIZE	MODEL	SHELL MATERIAL	SEAT
2"	60 - Metal Seated	C - CF8 / 304	M - Metal
2½"	61 - Uni-directional bolt-in resilient seat	CL - CF3 / 304L	E - EPDM
3"	63 - Full slide through	F - CF8M / 316	V - Viton
4"	70 - Bi-directional resilient seat	FL - CF3M / 316L	T - Teflon (PTFE)
5"		G - CG8M / 317	R - Glass-filled (RTFE)
6"		GL - CG3M / 317L	
8"		W - WCB	
10"		X - Special	
12"			
14"			
16"			
18"			
20"			
24"			
30"			
36"			
42"			
48"			

Please Specify Additional Options

- GO - Gear operator
- LO - Quick opening lever
- Cylinder - Air
 - Fail open
 - Fail close
 - Hydraulic
- Packing - High temperature
- Lock out device
- Chainwheel

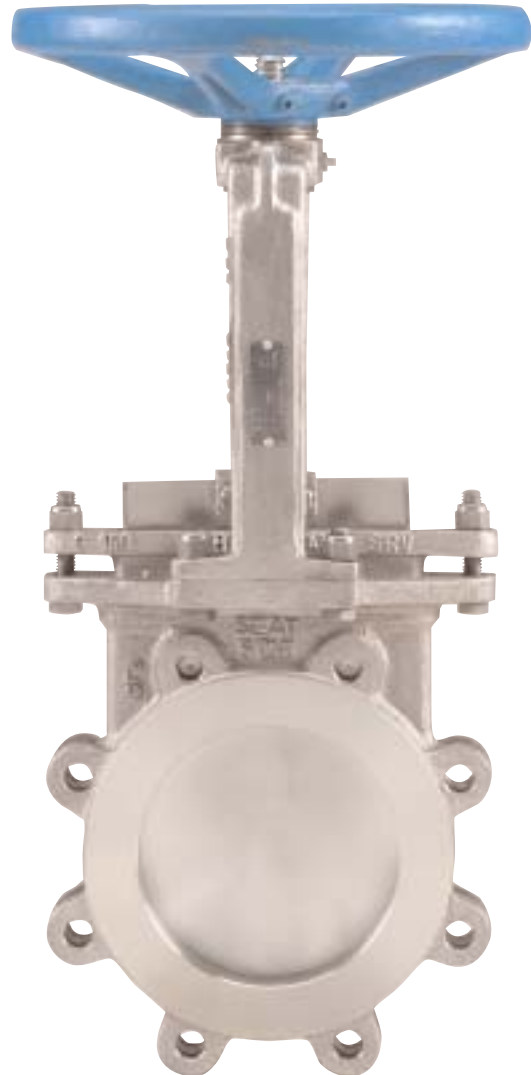


Stainless Steel Knife Gate

Model #60 - 2" to 48" - Metal Seat

Design Features

- All metal unidirectional seating
- Full 150 PSI working pressure
- Full port design with full raised face protects the seat face from flow insuring a longer seat life
- Solid one piece cast body with heavy duty integral jams, gate guide, and seat
- Blow out proof packing gland
- Bonnetless, outside screw and yoke, non-rising handwheel, rising stem
- Rugged cast steel handwheel
- Self-locking nylock nuts on handwheel and bonnet bolts
- Heavy precision machined beveled gate cuts through solids and slurries and cleans the seat as it closes
- Full lug pattern, drilled and tapped to suit 150# flanges



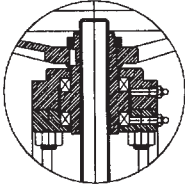
Designed and tested to conform with Tappi TIS 405-8 and MSS-SP81 standards. Flanges match ANSI B16.5

Designed and engineered for the pulp and paper, chemical, mining, and petroleum industries.

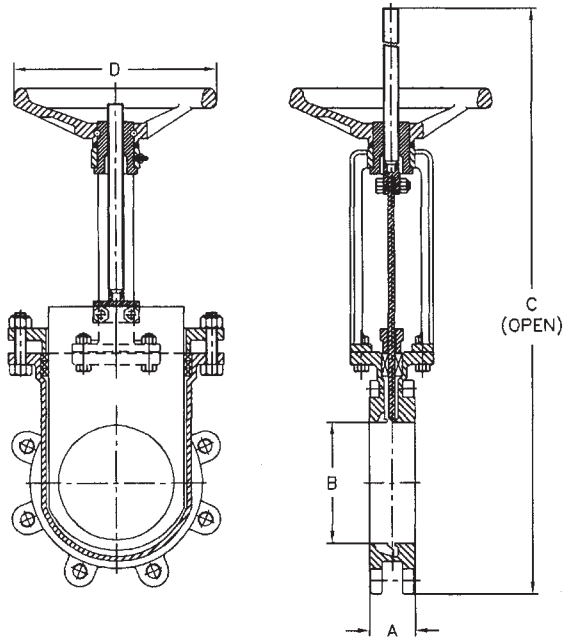
 **Davis Valve**

Stainless Steel Knife Gate

TOPWORKS DETAIL
16" TO 48"



Model 60C - CF8 (304SS)
Model 60F - CF8M (316SS)
Model 60G - CG8M (317SS)



PART NAME	MATERIALS	MATERIALS	MATERIALS
	A 351-CF8	A 351-CF8M	A 351-CG8M
BODY	A 351-CF8	A 351-CF8M	A 351-CG8M
GATE	SS 304	SS 316	SS 317
YOKE	A 351-CF8	A 351-CF8	A 351-CF8
STEM	SS 304	SS 304	SS 304
GLAND	A 351-CF8	A 351-CF8M	A 351-CG8M
GLAND PACKING	PTFE	PTFE	PTFE
STEM NUT	AL BRONZE	AL BRONZE	AL BRONZE
HAND WHEEL	A 216-WCB	A 216-WCB	A 216-WCB

SIZE	INCH	2	2½	3	4	5	6	8	10	12	14	16	18	20	24	30	36
		MM	50	65	80	100	127	150	200	250	300	350	400	450	500	600	762
A	INCH	1.88	2.0	2.0	2.0	2.25	2.25	2.75	2.75	3.0	3.0	3.5	3.5	4.5	4.5	5.4	6.3
	MM	47.8	50.8	50.8	50.8	57.2	57.2	69.9	69.9	76.2	76.2	88.9	88.9	114.3	114.3	137.1	160.0
B	INCH	2.0	2.5	3.0	4.0	5.0	6.0	8.0	10.0	12.0	13.25	15.25	17.25	19.25	23.25	29.25	35.25
	MM	50.8	63.5	76.2	101.6	127.0	152.4	203.2	254.0	304.8	336.5	387.3	438.1	488.9	590.5	742.9	895.3
C	INCH	15.5	19.3	19.3	23.0	26.2	29.25	36.25	44.0	51.0	57.0	66.0	73.0	79.5	93.0	131.9	151.9
	MM	393.7	490.2	490.2	584.2	665.4	743.0	920.8	1117.6	1295.4	1447.8	1676.0	1854.0	2019.3	2362.2	3350.4	3858.2
D	INCH	8.0	8.0	8.0	10.0	10.0	12.0	14.0	16.0	16.7	18.9	18.9	20.9	20.9	24.8	36.7	36.7
	MM	203.0	203.0	203.0	254.0	254.0	304.8	355.6	406.4	424.1	480.0	480.0	530.8	530.8	630.0	932.1	932.1
WGT	LBS	22		31	38	47	59	84	124	170	201	294	372	503	671	1810	2252
	KGS	10		14	18	22	27	38	56	77	91	133	168	228	305	820	1020



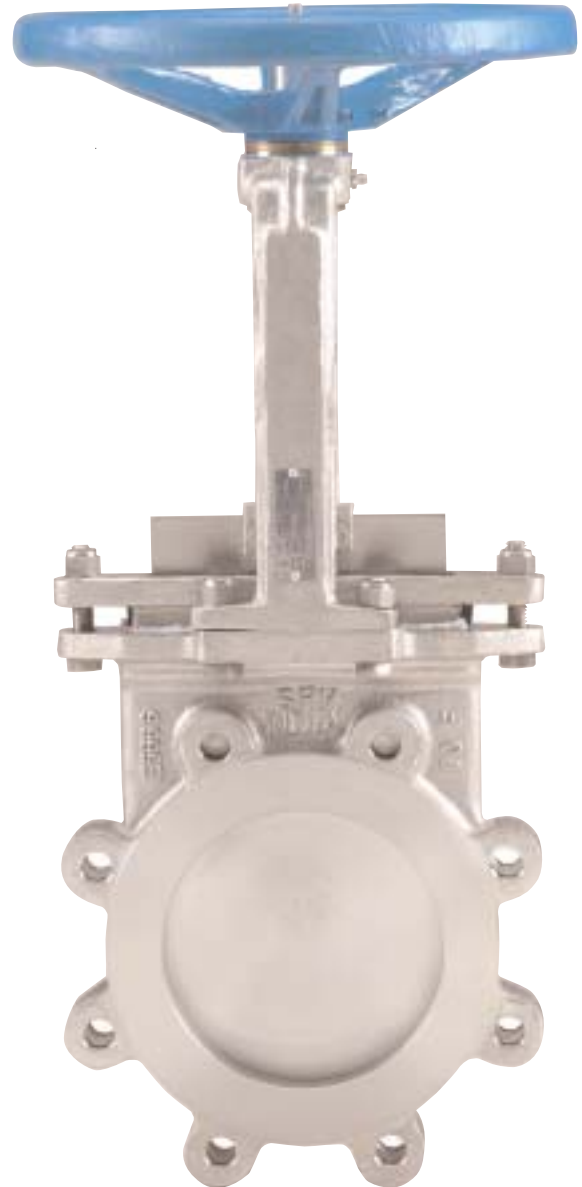
Stainless Steel Knife Gate

Model #61 - 2" to 48" - Resilient Seat

Design Features

- **Face plate retained resilient seat**
- **Drip tight shutoff in one direction**
- **Available with Viton, EPDM, Teflon or Polyurethane seats**
- **Easy replacement of seats**
- **Full 150 PSI working pressure**
- **Full port design with full raised face protects the seat face from flow insuring a longer seat life**
- **Solid one piece cast body with heavy duty integral jams and gate guides**
- **Blow out proof packing gland**
- **Bonnetless, outside screw and yoke, non-rising handwheel, rising stem**
- **Rugged cast steel handwheel**
- **Self-locking nylock nuts on handwheel and bonnet bolts**
- **Full lug pattern, drilled and tapped to suit 150# flanges**

Designed and tested to conform with Tappi TIS 405-8 and MSS-SP81 standards. Flanges match ANSI B16.5

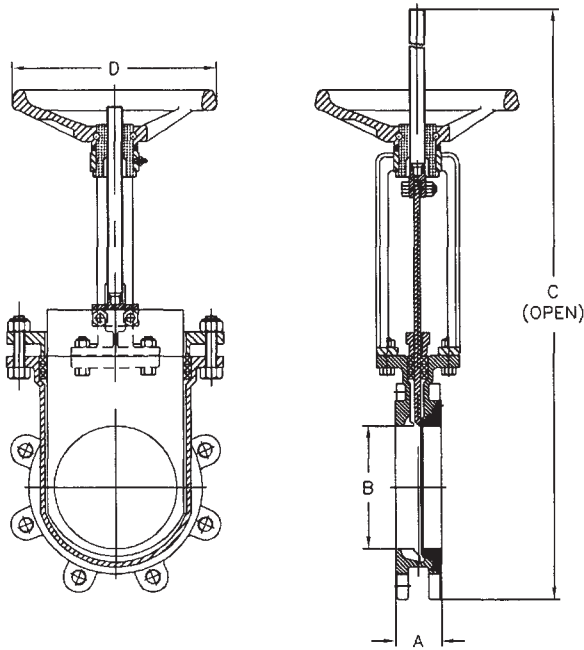
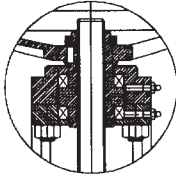


Designed and engineered for the pulp and paper, chemical, mining, waste water, and petroleum industries.

 **Davis Valve**

Stainless Steel Knife Gate

TOPWORKS DETAIL
16" TO 48"



Model 61C - CF8 (304SS)
Model 61F - CF8M (316SS)
Model 61G - CG8M (317SS)

PART NAME	MATERIALS A 351-CF8	MATERIALS A 351-CF8M	MATERIALS A 351-CG8M
BODY	A 351-CF8	A 351-CF8M	A 351-CG8M
GATE	SS 304	SS 316	SS 317
YOKE	A 351-CF8	A 351-CF8	A 351-CF8
STEM	SS 304	SS 304	SS 304
GLAND	A 351-CF8	A 351-CF8M	A 351-CG8M
GLAND PACKING	PTFE	PTFE	PTFE
STEM NUT	AL BRONZE	AL BRONZE	AL BRONZE
HAND WHEEL	A 216-WCB	A 216-WCB	A 216-WCB
RUBBER SEAT	VITON **	VITON **	VITON **
'O' - RING	VITON **	VITON **	VITON **

** EPDM\PTFE\RTFE\POLYURETHANE ALSO AVAILABLE

SIZE	INCH	2	2½	3	4	5	6	8	10	12	14	16	18	20	24	30	36
	MM	50	65	80	100	127	150	200	250	300	350	400	450	500	600	762	915
A	INCH	1.88	2.0	2.0	2.0	2.25	2.25	2.75	2.75	3.0	3.0	3.5	3.5	4.5	4.5	5.4	6.3
	MM	47.8	50.8	50.8	50.8	57.2	57.2	69.9	69.9	76.2	76.2	88.9	88.9	114.3	114.3	137.1	160.0
B	INCH	2.0	2.5	3.0	4.0	5.0	6.0	8.0	10.0	12.0	13.25	15.25	17.25	19.25	23.25	29.25	35.25
	MM	50.8	63.5	76.2	101.6	127.0	152.4	203.2	254.0	304.8	336.5	387.3	438.1	488.9	590.5	742.9	895.3
C	INCH	15.5	19.3	19.3	23.0	26.2	29.25	36.25	44.0	51.0	57.0	66.0	73.0	79.5	93.0	131.9	151.9
	MM	393.7	490.2	490.2	584.2	665.4	743.0	920.8	1117.6	1295.4	1447.8	1676.0	1854.0	2019.3	2362.2	3350.4	3858.2
D	INCH	8.0	8.0	8.0	10.0	10.0	12.0	14.0	16.0	16.7	18.9	18.9	20.9	20.9	24.8	36.7	36.7
	MM	203.0	203.0	203.0	254.0	254.0	304.8	355.6	406.4	424.1	480.0	480.0	530.8	530.8	630.0	932.1	932.1
WGT	LBS	22		31	38	47	59	84	124	170	201	294	372	503	671	1810	2252
	KGS	10		14	18	22	27	38	56	77	91	133	168	228	305	820	1020

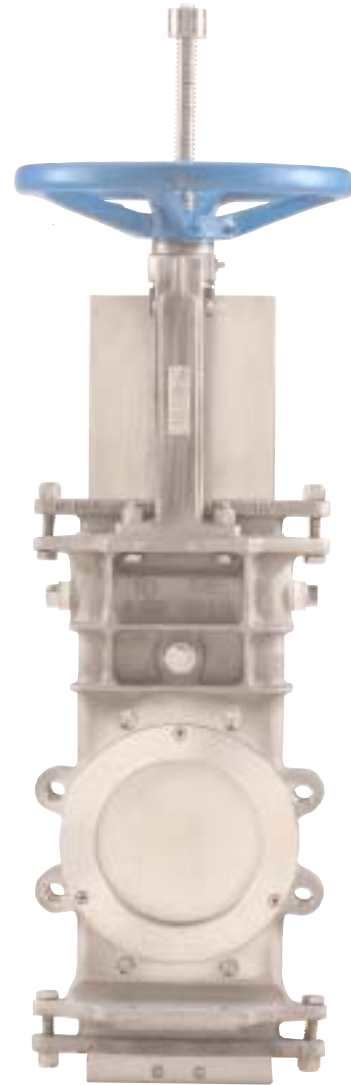


Stainless Steel Knife Gate

Model #63 - 2" to 24" - Slide through gate

Design Features

- **Dual face plate retained resilient seats**
- **Bi-directional drip tight shutoff**
- **Available with EPDM, Viton, Teflon, or Polyurethane seats**
- **Easy replacement of seats**
- **Full 150 PSI working pressure**
- **Full port design with full raised face protects the seat face from flow insuring a longer seat life**
- **Solid one piece cast body with heavy duty integral jams and gate guides**
- **Blow out proof packing gland**
- **Bonnetless, outside screw and yoke, non-rising handwheel, rising stem**
- **Rugged cast steel handwheel**
- **Self-locking nylock nuts on handwheel and bonnet bolts**
- **Full lug pattern, drilled and tapped to suit 150# flanges**
- **Multiple blow-out ports for easy cleaning**



Designed and tested to conform with Tappi TIS 405-8 and MSS-SP81 standards. Flanges match ANSI B16.5

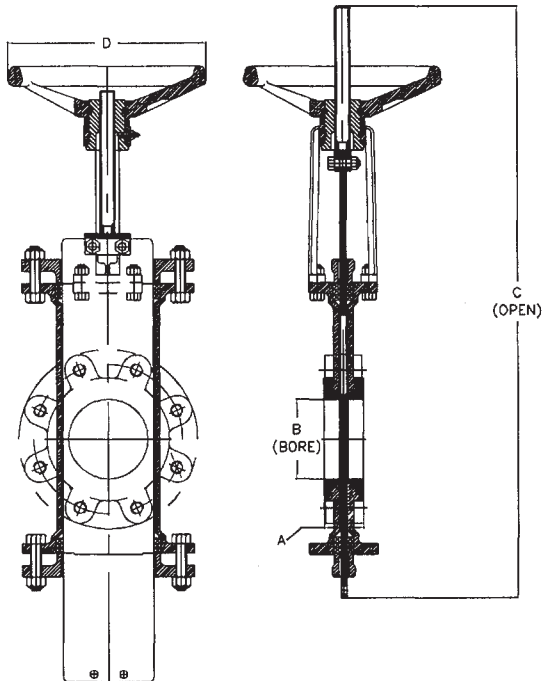
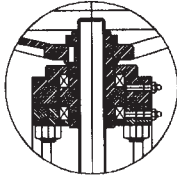
Designed and engineered for the pulp and paper, chemical, mining, waste water, and petroleum industries.

 **Davis Valve**

Stainless Steel Knife Gate

Slide through gate

TOPWORKS DETAIL
16" TO 24"



Model 63W - WCB
Model 63C - CF8 (304SS)
Model 63F - CF8M (316SS)

PART NAME	MATERIALS A 216-WCB	MATERIALS A 351-CF8	MATERIALS A 351-CF8M
BODY	A 216-WCB	A 351-CF8	A 351-CF8M
RETAINER	SS 304	SS 304	SS 316
GATE	SS 304	SS 304	SS 316
RUBBER SEAT	VITON **	VITON **	VITON **
GLAND PACKING	PTFE	PTFE	PTFE
GLAND	A 216-WCB	A 351-CF8	A 351-CF8M
YOKE	A 216-WCB	A 351-CF8	A 351-CF8
STEM	SS 304	SS 304	SS 304
STEM NUT	B660/AL.BRONZE	B660/AL.BRONZE	B660/AL.BRONZE
HAND WHEEL	A 216-WCB	A 216-WCB	A 216-WCB

** EPDM/PTFE/RTFE/POLYURETHANE ALSO AVAILABLE

SIZE	INCH	2	2½	3	4	5	6	8	10	12	14	16	18	20	24
	MM	50	65	80	100	127	150	200	250	300	350	400	450	500	600
A	INCH	1.88	2.0	2.0	2.0	2.25	2.25	2.75	2.75	3.0	3.0	3.5	3.5	4.5	4.5
	MM	47.8	50.8	50.8	50.8	57.2	57.2	69.9	69.9	76.2	76.2	88.9	88.9	114.3	114.3
B	INCH	2.0	2.5	3.0	4.0	5.0	6.0	8.0	10.0	12.0	13.25	15.25	17.25	19.25	23.25
	MM	50.8	63.5	76.2	101.6	127.0	152.4	203.2	254.0	304.8	336.5	387.3	438.1	488.9	590.5
C	INCH	17.7	22.0	26.0	30.5	34.1	39.6	48.7	58.7	65.9	72.4	84.3	95.2	103.7	120.9
	MM	450.0	560.0	660.0	775.0	865.0	1005.0	1236.0	1490.0	1674.0	1840.0	2142.0	2417.0	2633.0	3071.0
D	INCH	8.0	8.0	8.0	10.0	10.0	12.0	14.0	16.0	16.7	18.9	18.9	20.9	20.9	24.8
	MM	203.0	203.0	203.0	254.0	254.0	304.8	355.6	406.4	424.1	480.0	480.0	530.8	530.8	630.0



Stainless Steel Knife Gate

Model #70 - 2" to 36" - Resilient Seat

Design Features

- **Internal lipped core retained resilient seat**
- **Bi-directional drip tight shutoff**
- **EPDM seat is standard; Buna, Viton, or Teflon available**
- **Replaceable seat**
- **Full 150 PSI working pressure**
- **Full port design with full raised face protects the seat face from flow insuring a longer seat life**
- **Solid one piece cast body with heavy duty integral jams and gate guides**
- **Blow out proof packing gland**
- **Bonnetless, outside screw and yoke, non-rising handwheel, rising stem**
- **Rugged cast steel handwheel**
- **Self-locking nylock nuts on handwheel and bonnet bolts**
- **Full lug pattern, drilled and tapped to suit 150# flanges**

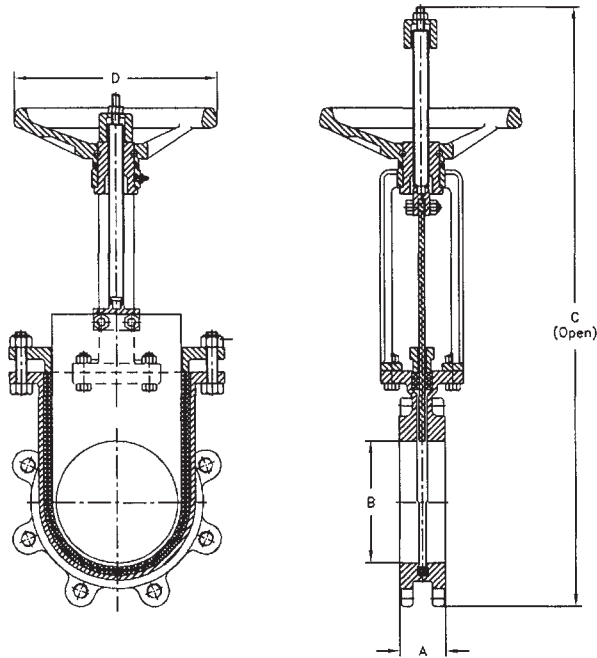
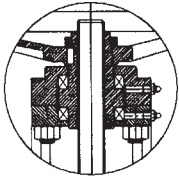


Designed and tested to conform with Tappi TIS 405-8 and MSS-SP81 standards. Flanges match ANSI B16.5

Designed and engineered for the pulp and paper, chemical, mining, waste water, and petroleum industries.

Stainless Steel Knife Gate

TOPWORKS DETAIL
16" TO 36"



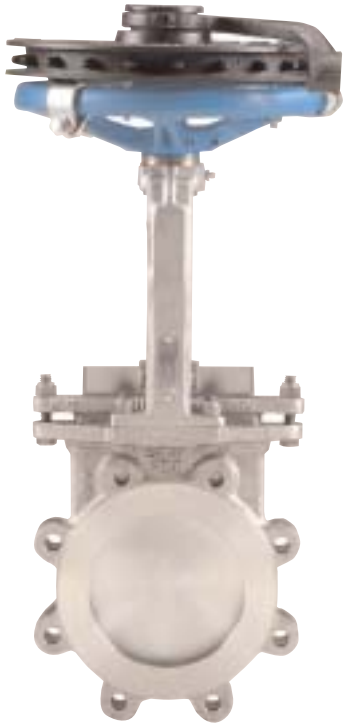
Model 70C - CF8 (304SS)
Model 70F - CF8M (316SS)
Model 70G - CG8M (317SS)

PART NAME	MATERIALS A 351-CF8	MATERIALS A 351-CF8M	MATERIALS A 351-CG8M
BODY	A 351-CF8	A 351-CF8M	A 351-CG8M
GATE	SS 304	SS 316	SS 317
YOKE	A 351-CF8	A 351-CF8	A 351-CF8
STEM	SS 304	SS 304	SS 304
GLAND	A 351-CF8	A 351-CF8M	A 351-CG8M
GLAND PACKING	PTFE	PTFE	PTFE
STEM NUT	B 660	B 660	B 660
HAND WHEEL	A 216-WCB	A 216-WCB	A 216-WCB
SEAT	EPDM	EPDM	EPDM
SEAT RETAINER	SS 316	SS 316	SS 316
STOPPER	SS 304	A 276-304	A 276-304
STOPPER NUT	SS 304	SS 304	SS 304

SIZE	INCH	2	2½	3	4	5	6	8	10	12	14	16	18	20	24	30	36
	MM	50	65	80	100	127	150	200	250	300	350	400	450	500	600	762	915
A	INCH	1.88	2.0	2.0	2.0	2.25	2.25	2.75	2.75	3.0	3.0	3.5	3.5	4.5	4.5	5.4	6.3
	MM	47.8	50.8	50.8	50.8	57.2	57.2	69.9	69.9	76.2	76.2	88.9	88.9	114.3	114.3	137.1	160.0
B	INCH	2.0	2.5	3.0	4.0	5.0	6.0	8.0	10.0	12.0	13.25	15.25	17.25	19.25	23.25	29.25	35.25
	MM	50.8	63.5	76.2	101.6	127.0	152.4	203.2	254.0	304.8	336.5	387.3	438.1	488.9	590.5	742.9	895.3
C	INCH	15.5	19.3	19.3	23.0	26.2	29.25	36.25	44.0	51.0	57.0	66.0	73.0	79.5	93.0	131.9	151.9
	MM	393.7	490.2	490.2	584.2	665.4	743.0	920.8	1117.6	1295.4	1447.8	1676.0	1854.0	2019.3	2362.2	3350.4	3858.2
D	INCH	8.0	8.0	8.0	10.0	10.0	12.0	14.0	16.0	16.7	18.9	18.9	20.9	20.9	24.8	36.7	36.7
	MM	203.0	203.0	203.0	254.0	254.0	304.8	355.6	406.4	424.1	480.0	480.0	530.8	530.8	630.0	932.1	932.1
WGT	LBS	22		31	38	47	59	84	124	170	201	294	372	503	671	1810	2252
	KGS	10		14	18	22	27	38	56	77	91	133	168	228	305	820	1020



Accessories



Chainwheel



Lever Operator



Gear Operator



Air Cylinder